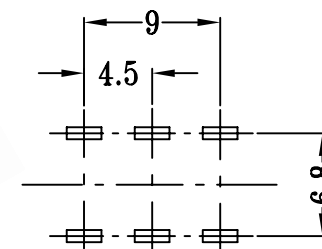
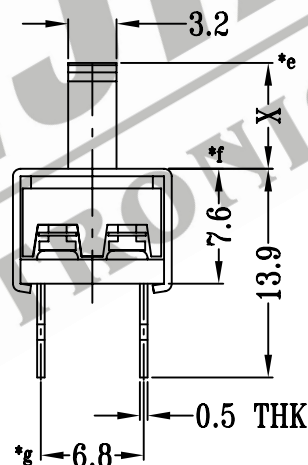
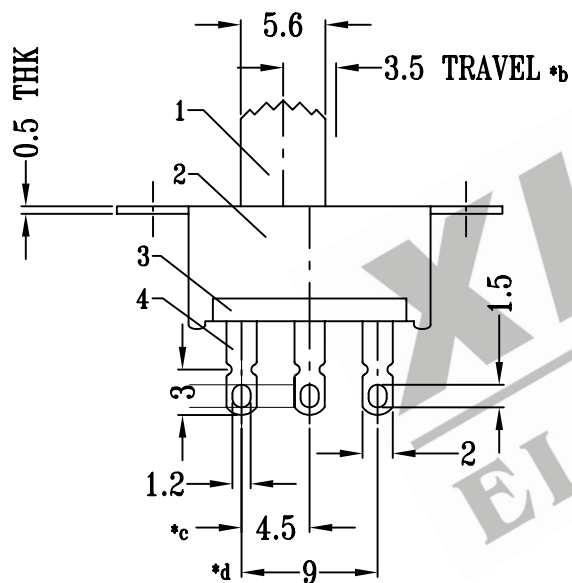
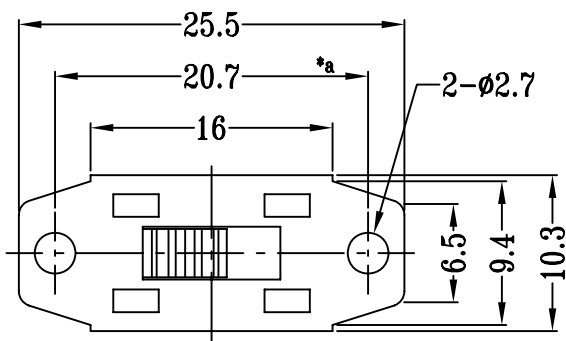


CAD FILE:



P.C.B LAYOUT

SCHEMATIC (NON-SHORTING)

注:带“*”表示关键尺寸(7个)

				TOLERANCE UNLESS SPECIFIED		SHENZHEN XIEJIA ELECTRONICS CO.,LTD.				
				WITHIN: 1.5±0.1mm OVER: 1.5±0.2mm		ISSUE	DATE	DESCRIPTIONS OF REVISION		APPD.
8										
7										
6	CONTACT CLIP	COPPER STRIP	2	Ag PLATED	TITLE : VERTICAL SLIDE SWITCH		UNIT : mm	DRWG NO.: XJ-DR-SS22G08-00		
5	SPRING PLATE	PBS STRIP	1	NATURAL						
4	TERMINAL	COPPER STRIP	6	Ag PLATED OVER Ni PLATED	MODEL: SS-22G08		SCALE: 2:1			
3	BASE	PHENOLIC RESIN	1	BLACK						
2	FRAME	STEEL STRIP	1	Ni PLATED	ALL MATERIALS MUST BE COMPLIANT TO ROHS					
1	KNOB	PC	1	BLACK						
NO.	PARTS	MATERIALS	Q'TY	FINISH				APPD.	KANGXINAN	2004-3-12